

TECHNIQUE T2205 Tyre Changer

Introducing the Technique T2205 entry level tyre changer, ideal for small businesses and workshops where space is precious.

The power assisted tilt-back arm design with 3 position clamping jaws, powerful bead breaker and an optional 3-point air assistance arm (T2205-PLUS), all aid in changing the modern tyre easily, including run-flat tyres.

The Technique T2205-PLUS assist arms offers assistance in changing the modern tyre easily, including run-flat tyres.

- Rim clamping range external: 10" - 22".
- Rim clamping range from internal: 12" - 24".
- Max tyre diameter: 1000mm (39")
- Max tyre width: 355mm (13")
- Bead breaking power: 3000kg.
- Single phase motor.

Inner Clamping	13"-23" (Settable to 12"-22" or 14"-24")
Outer Clamping	11"-21" (Settable to 10"-20" or 12"-22")
Maximum Wheel Diameter	1000 mm (39")
Maximum Wheel Width	340 mm (13")
Bead-breaker cylinder force at 10 bar	3000 kg
Operating Pressure	10 bar (140 psi)
Motor Power	0,55 Kw (3 phase) - 0,75 Kw (1 phase)
Maximum Inflating Pressure (NM)	1200 Nm
Dimensions	970L x 760W x 940H mm



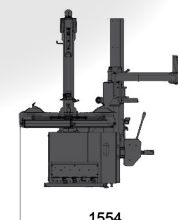
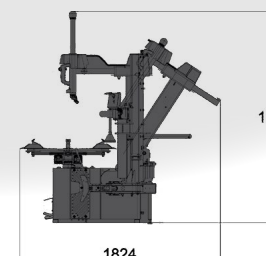
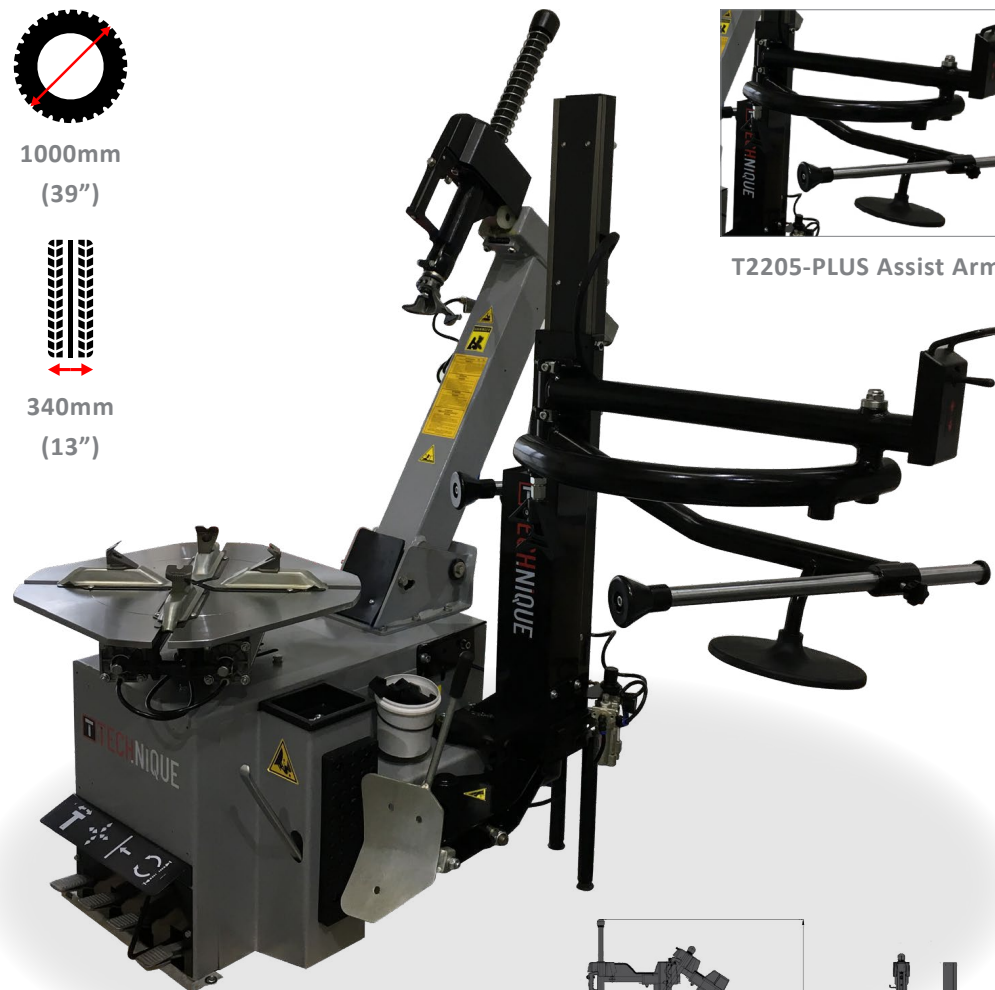
1000mm
(39")



340mm
(13")



T2205-PLUS Assist Arms



WANT TO FIND OUT MORE? GET IN TOUCH WITH US TODAY!



(01295) 768373



enquiries@bullworthy.co.uk



www.bullworthy.co.uk